

# ASSEMBLY INSTRUCTION

for models:



CREATIVE  
CRAFTSMANSHIP  
Since 1978



Alberto



Bordeaux



Camillo/  
Camillo XL



Chef



Dahlia



Ergo



Esprit



Firana



Fox



Glove



Jola



Lotus



Matrix LB/HB  
Matrix combi LB/HB



Quebec



Resto



Roma



Stake



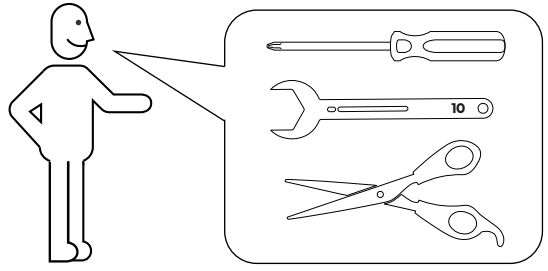
Stockholm



Torino

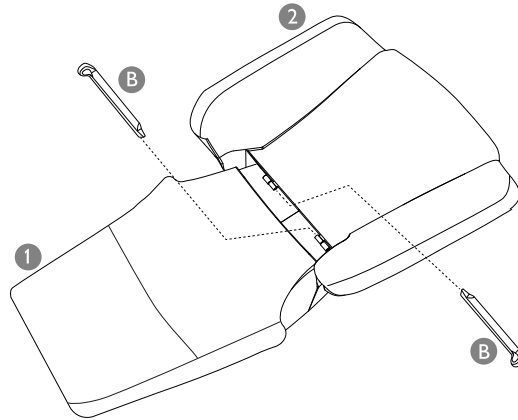


A		x4
B		x2
C		x1
D		x2
E		x2



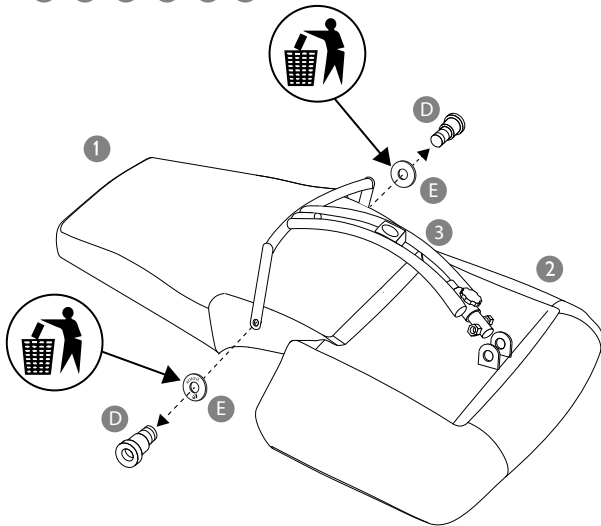
1

- 1 2 B



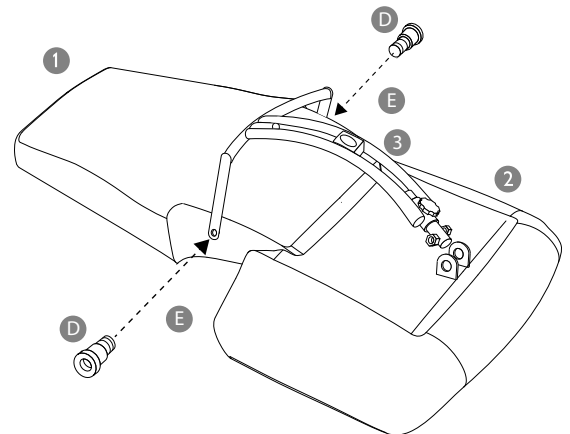
2

- 1 2 3 C D E



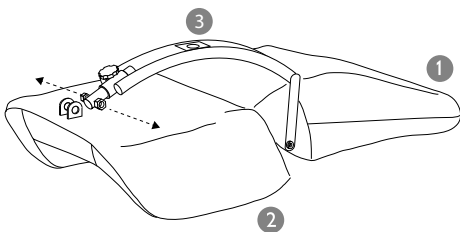
3

- 1 2 3 D



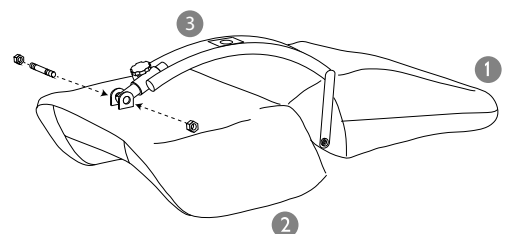
4

- 1 2 3



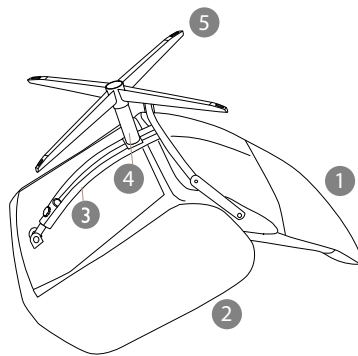
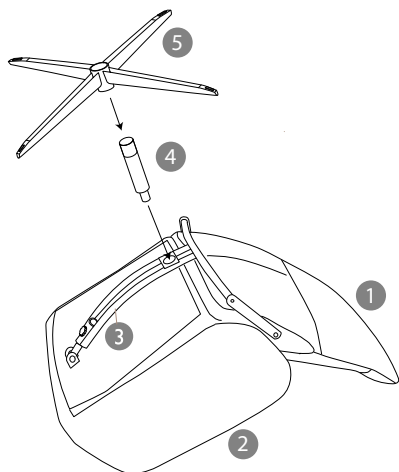
5

- 1 2 3



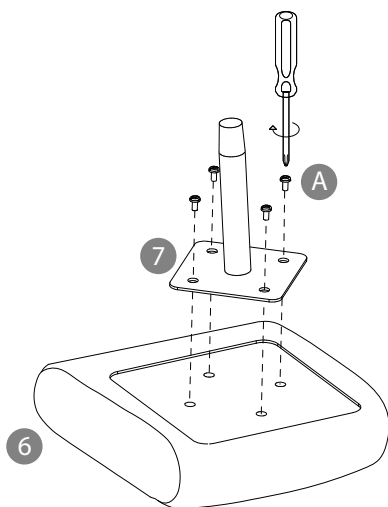
6

- 1
- 2
- 3
- 4
- 5



7

- 6
- 7
- A



8

- 6
- 7
- 8

